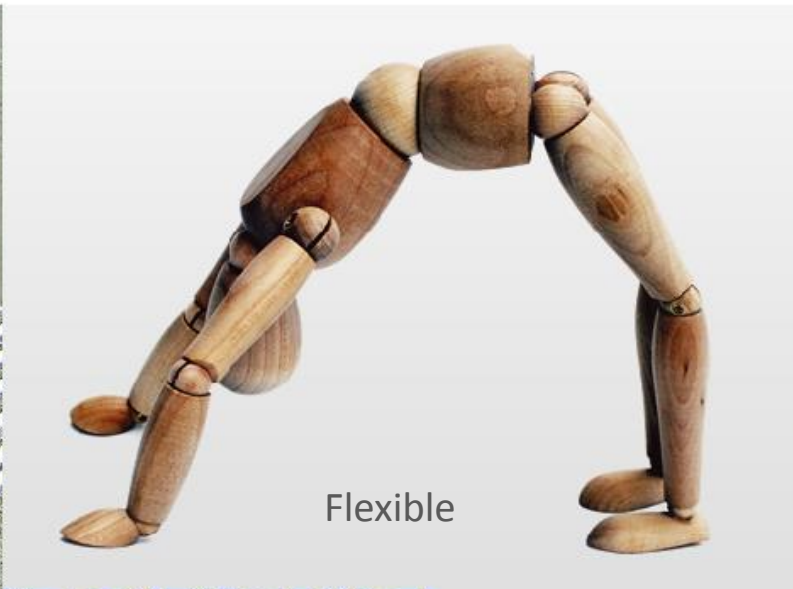




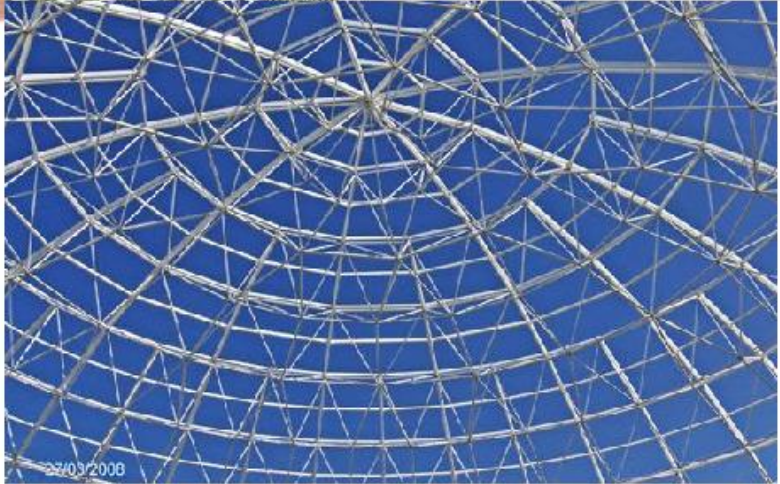
Repetition



Flexible



Modularity



Solution for every need



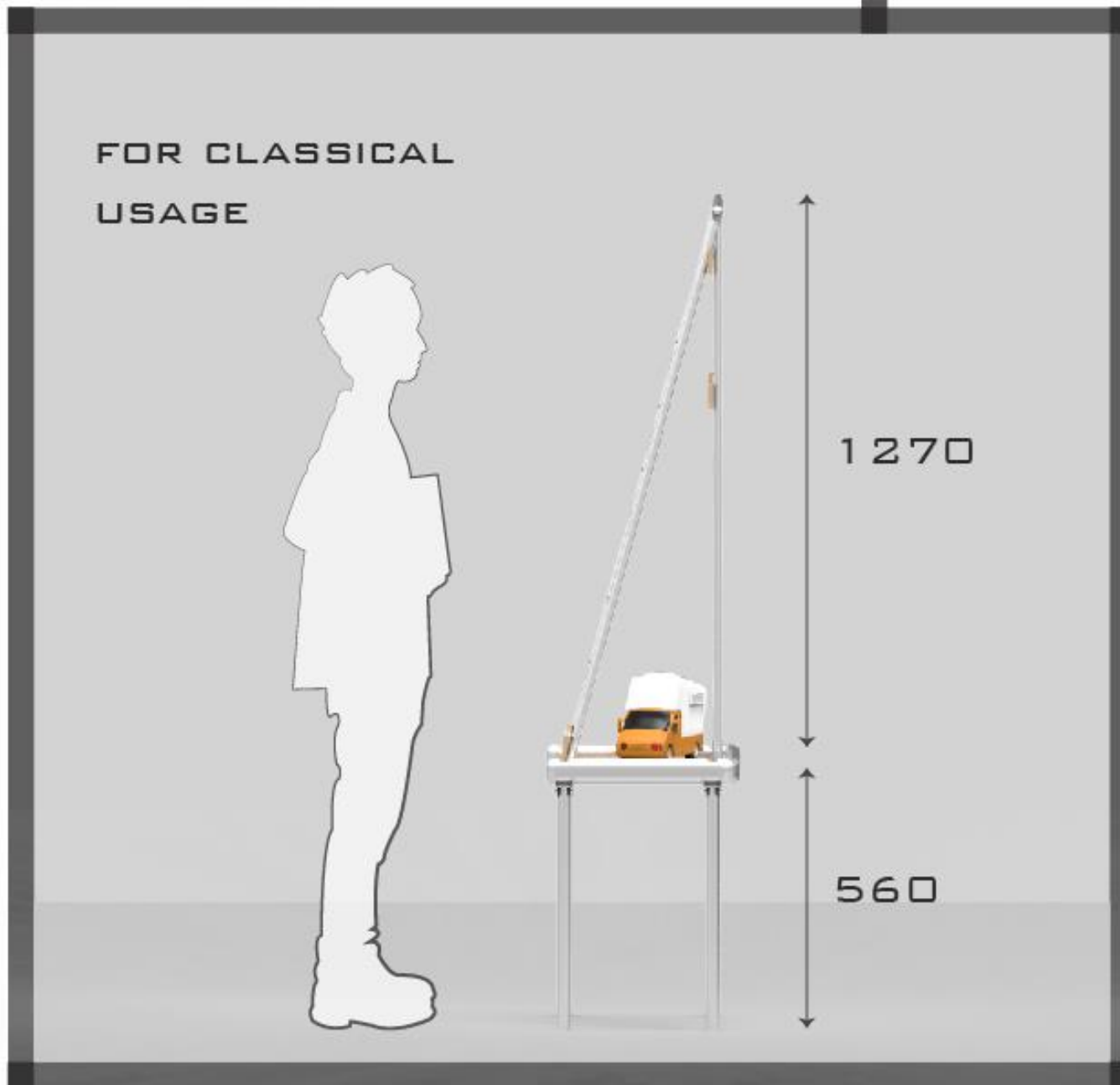




SEVGINUR AK

BUILD UP

BUILD UP



BUILD UP



FOR MORE VALUABLE MOCK UPS AND SET MODELS WITH SMALL COMPONENT



530 450 300

560

560

BUILD UP

FOR PRODUCT DESIGN MODELS TO HANG



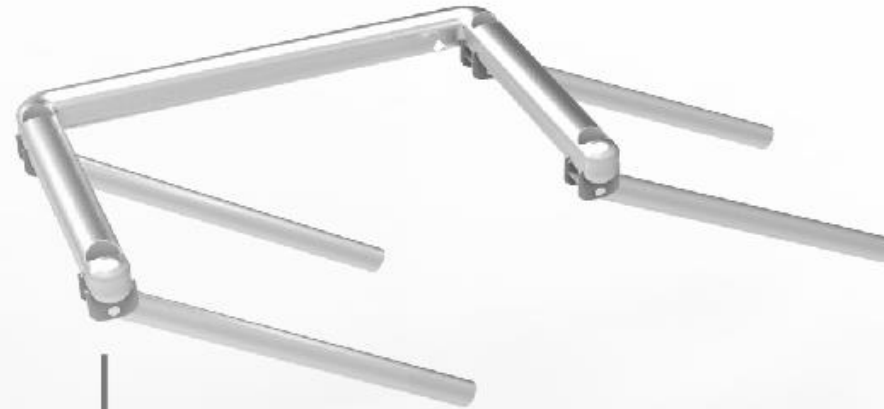
560

560

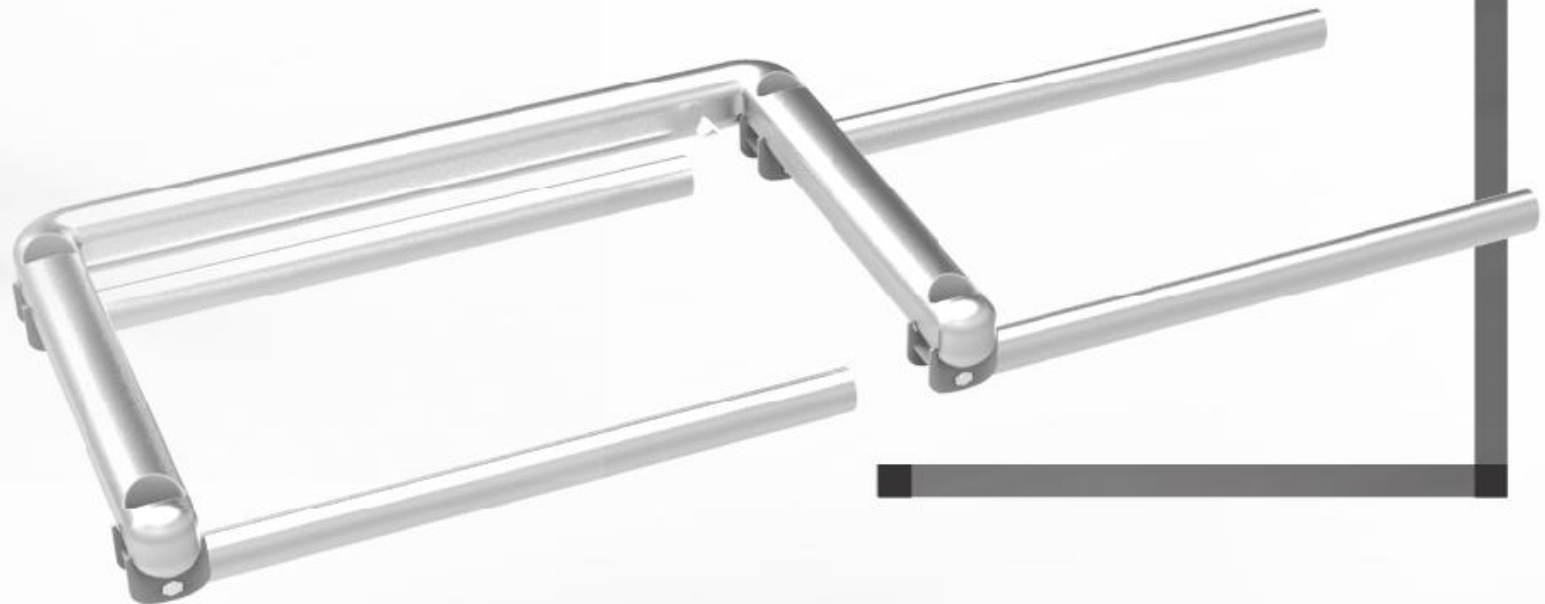
560

SEVGINUR AK

BUILD UP



COLLAPSIBLE LEGS



SEVGİNUR AK

BUILD UP



COLLAPSIBLE DESIGN
TO EASY STACKING



BUILD UP



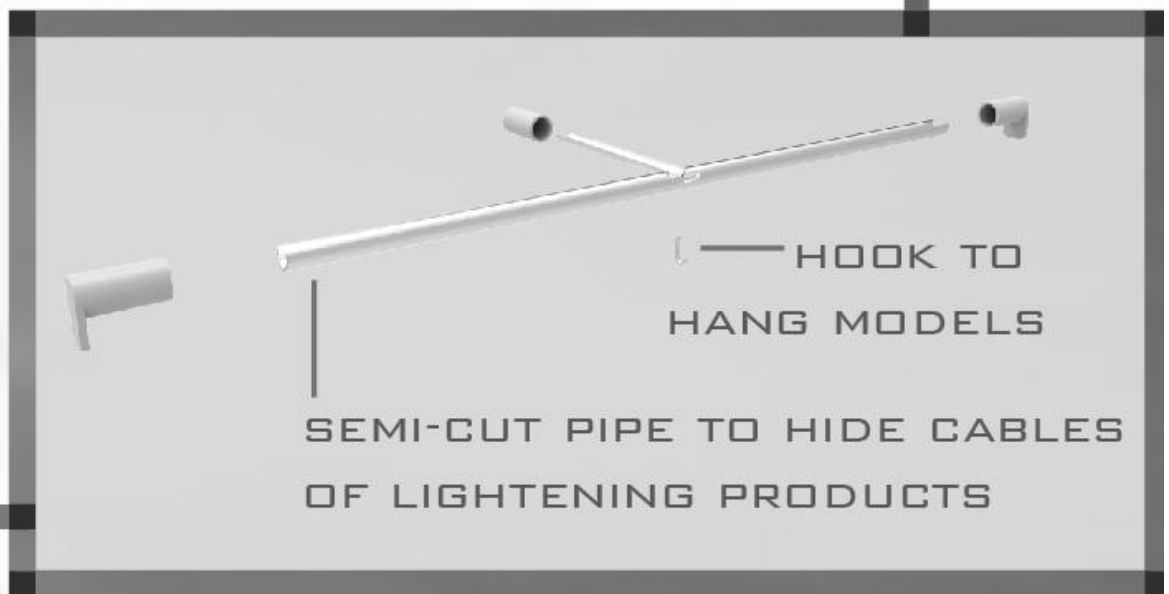
FITTINGS - HDPE

FITTINGS - HDPE

BOLTS AND NUTS - STEEL

PIPES - 100% RECYCLED ALUMINIUM

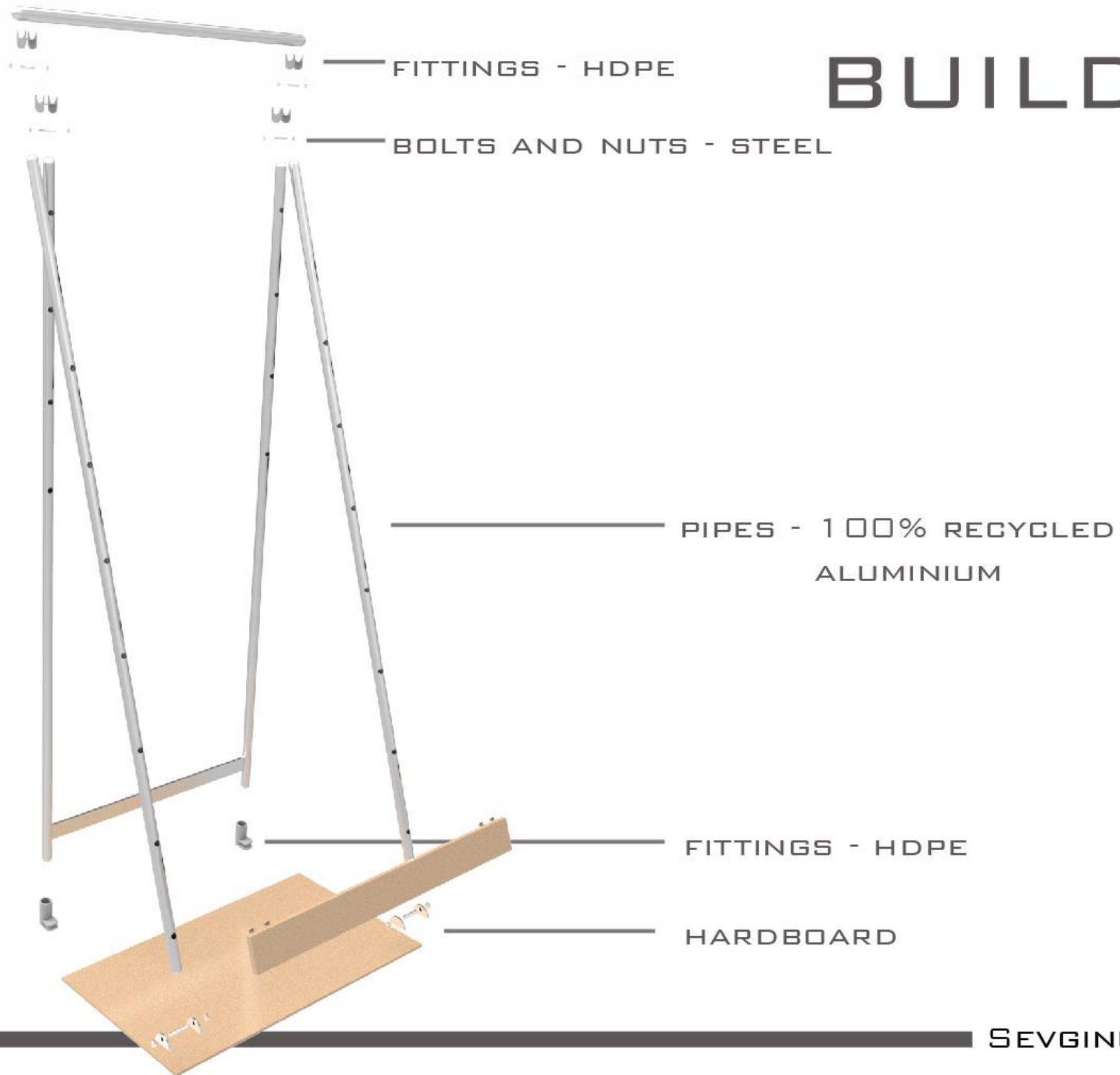
SEVGINUR AK



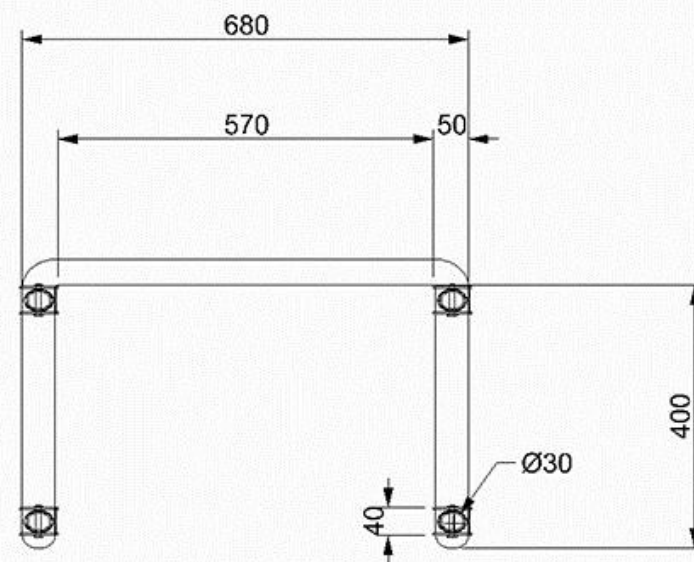
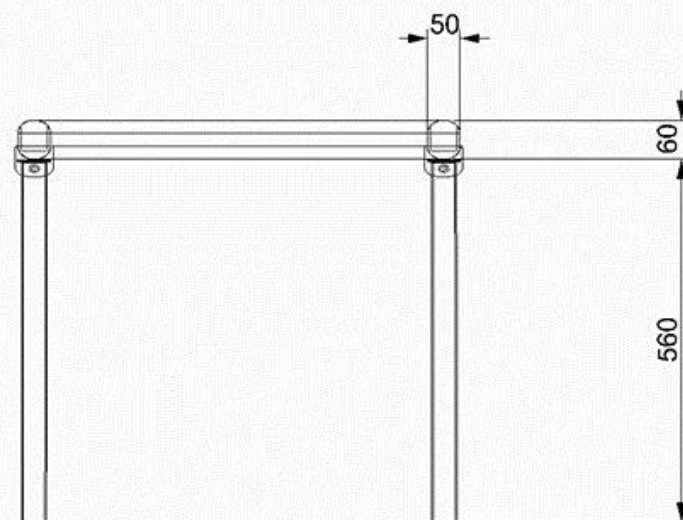
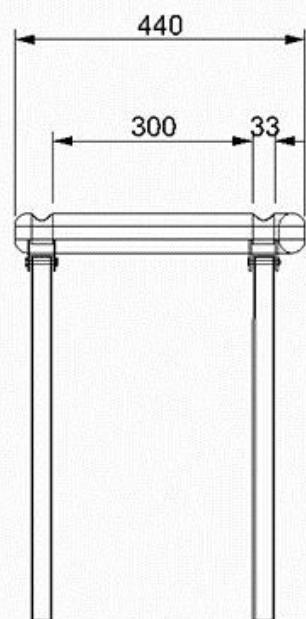
HOOK TO HANG MODELS

SEMI-CUT PIPE TO HIDE CABLES OF LIGHTENING PRODUCTS

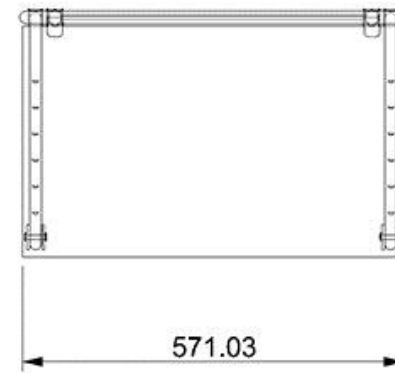
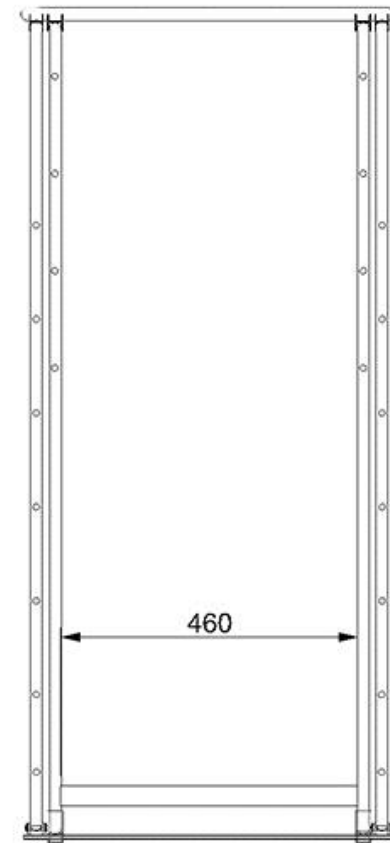
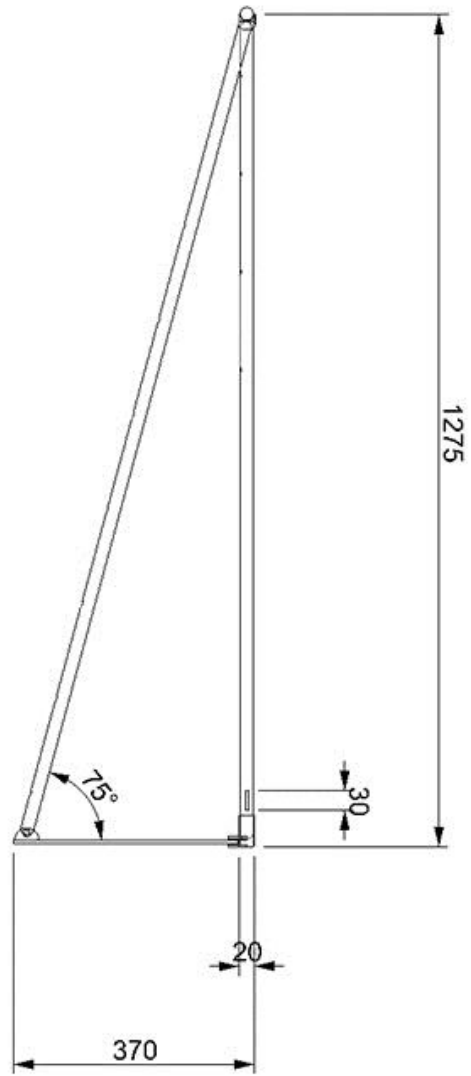
BUILD UP



SEVGINUR AK



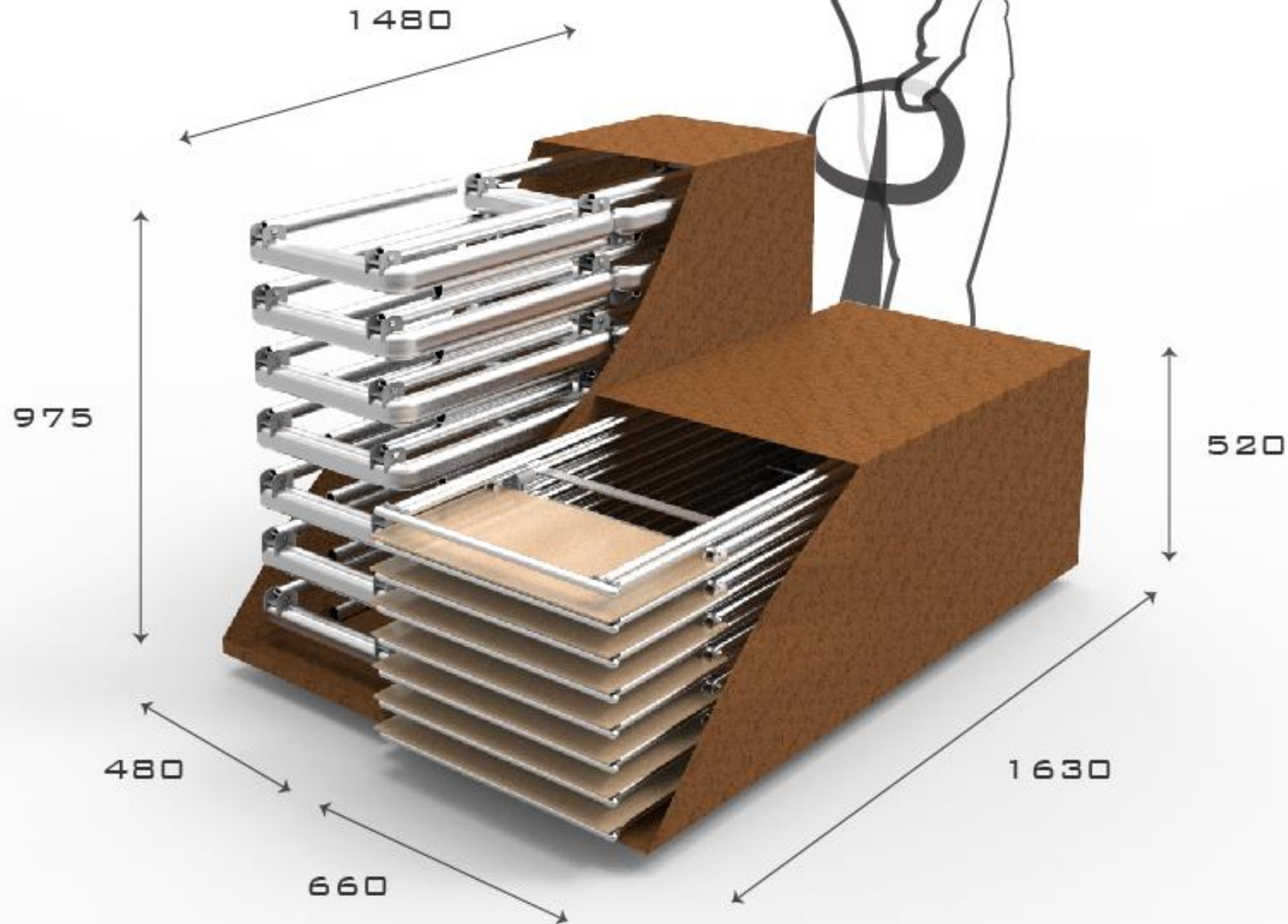
BUILD UP

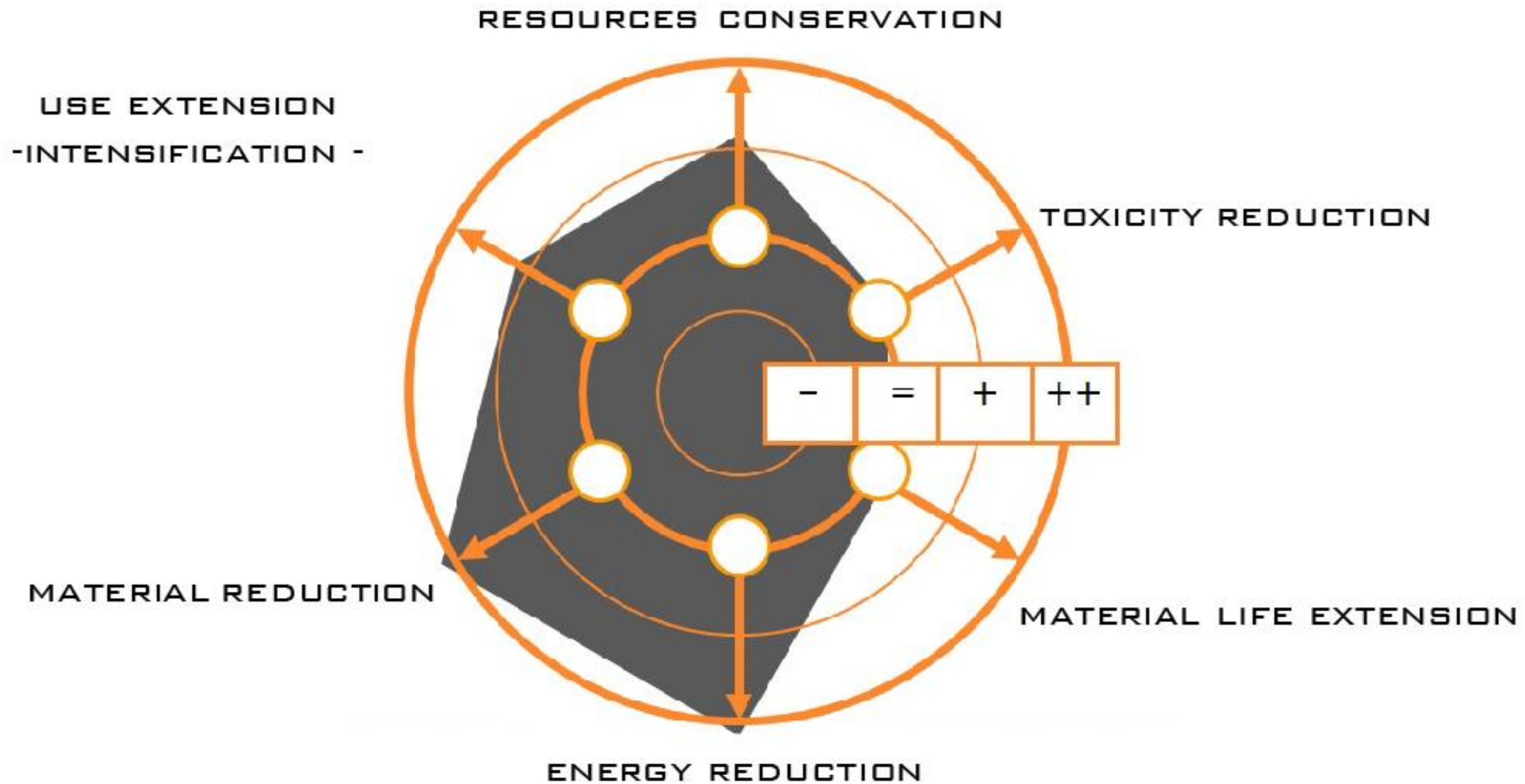


BUILD UP

FOR 15 EXHIBITION MODULES
WITH ONE-BOTTOMED

BUILD UP





	resource conservation	toxicity reduction	material life extension	energy reduction	material reduction	use inten./ext.
Priority	P: HIGH	P: MEDIUM	P: HIGH	P: HIGH	P: HIGH	P: HIGH
Improvement	I: INCREMENTAL	I: NONE	I: NONE	I: RADICAL	I: RADICAL	I: INCREMENTAL

System life optimisation

priority: N=No L=Low M=Medium H=High

